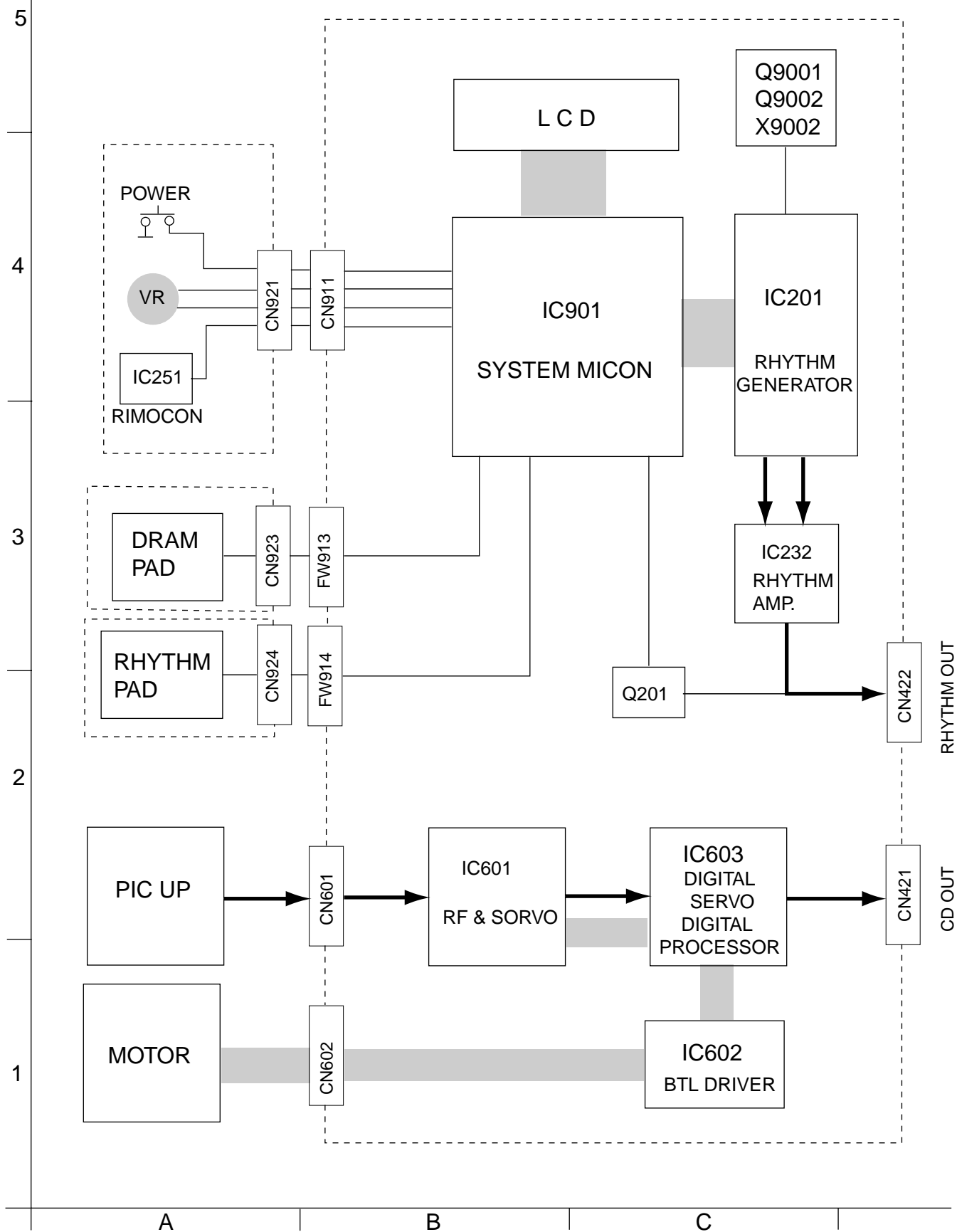
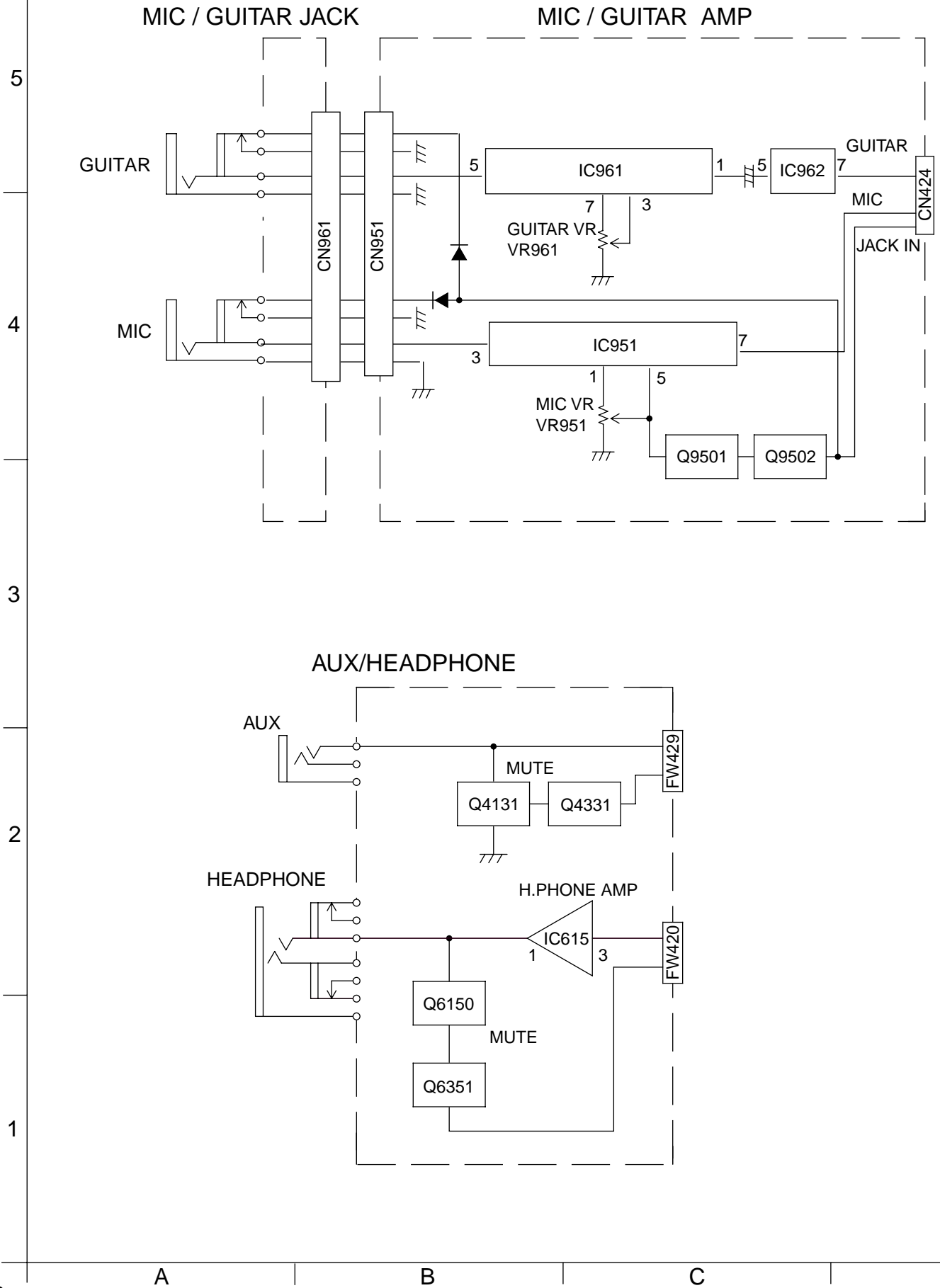


Block diagrams

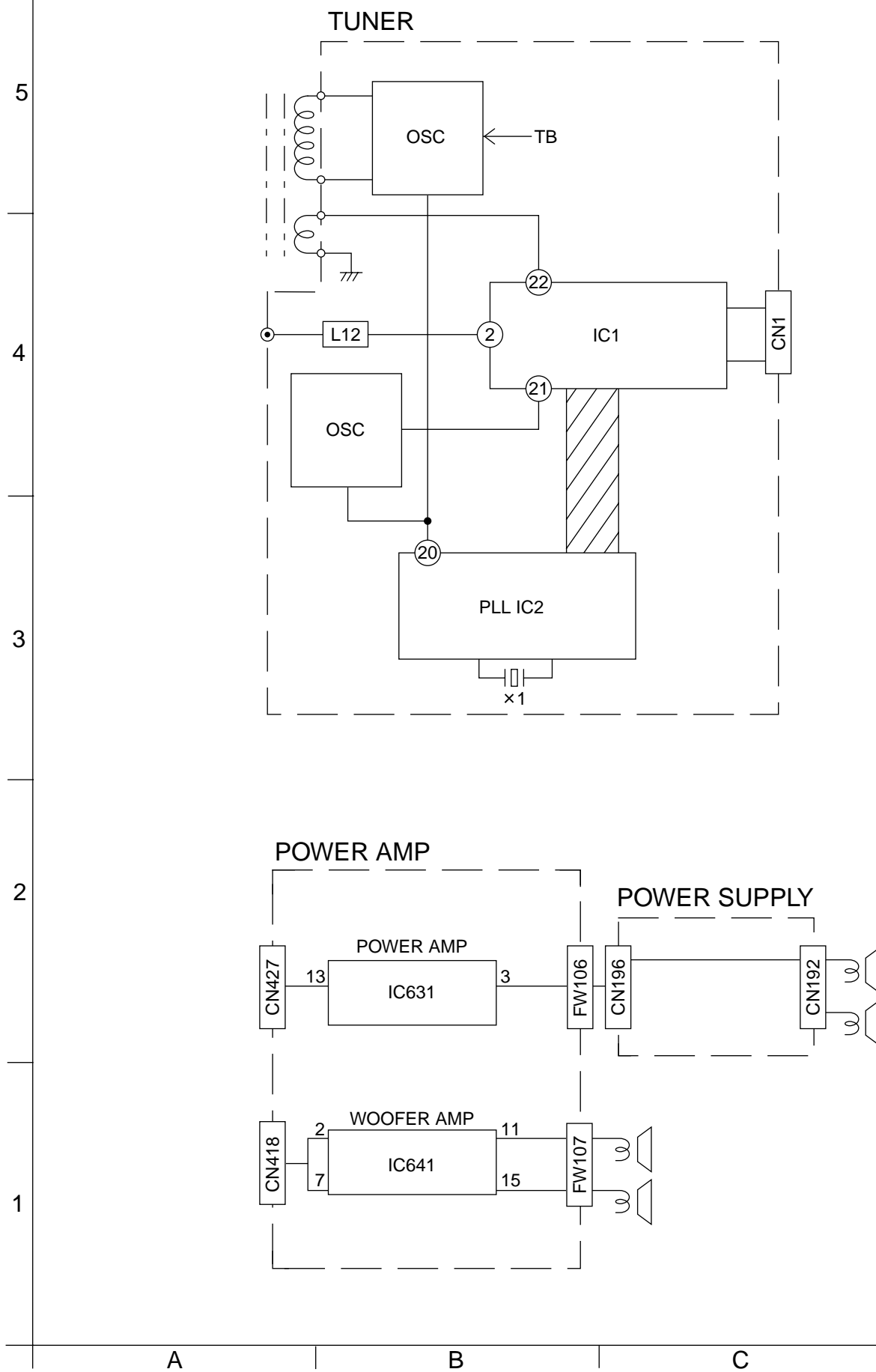
■ System control(Micon)section



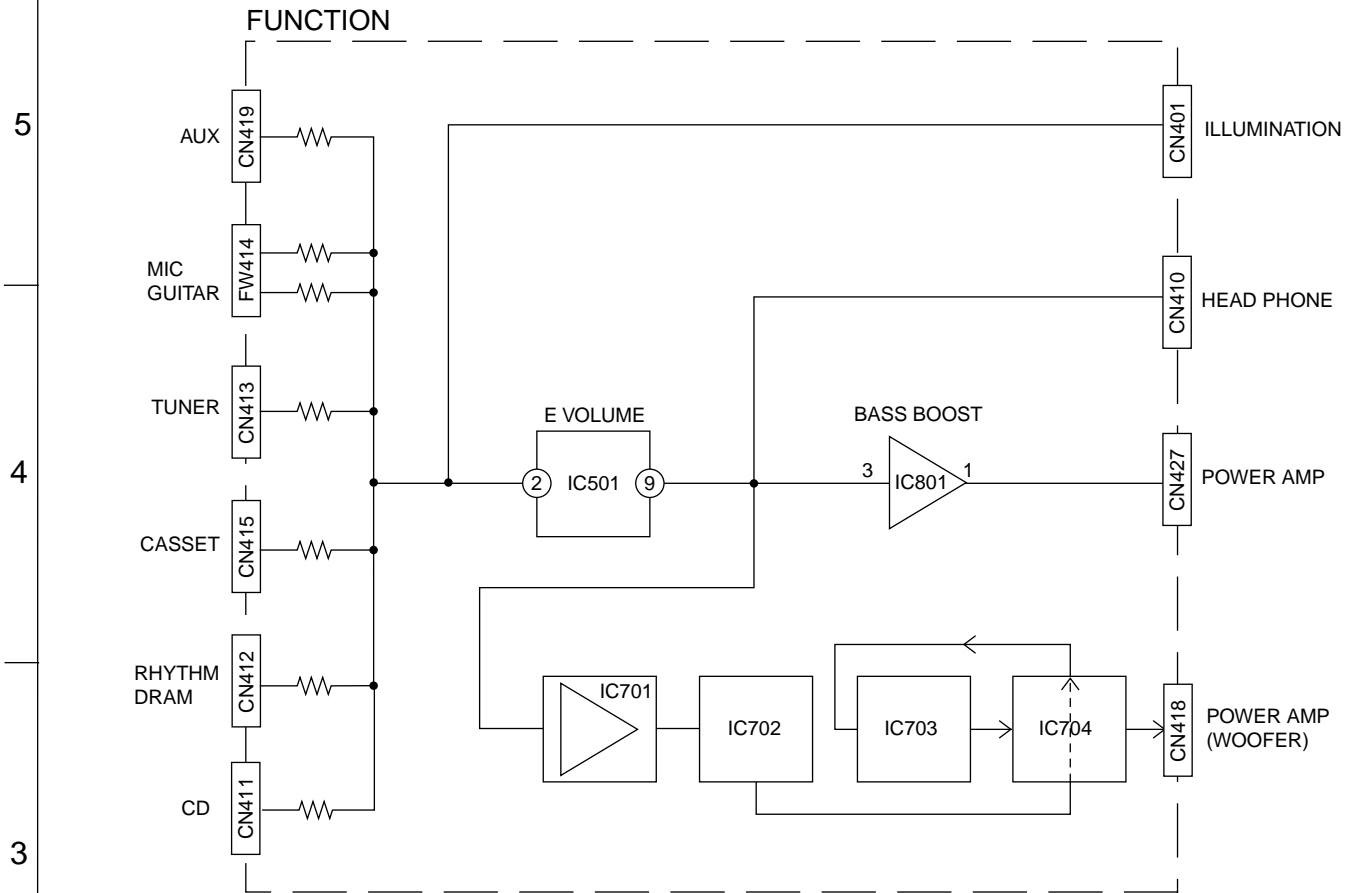
■ Mic/Guitar and AUX/Headphone section



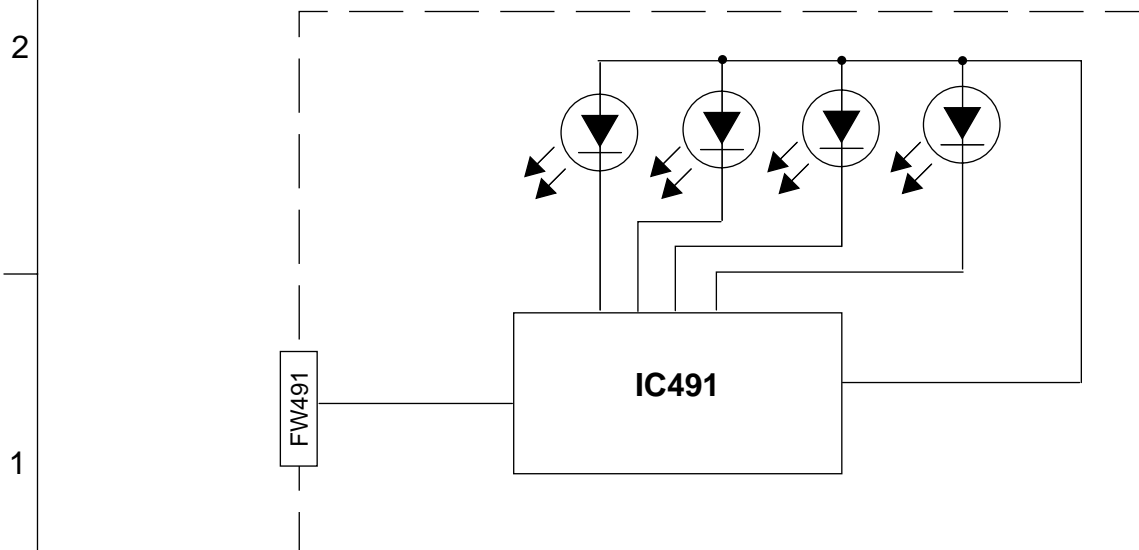
■ Tuner / Power section



■ **Function section**



■ **LED section**



A

B

C

Standard schematic diagrams

CD servo control section

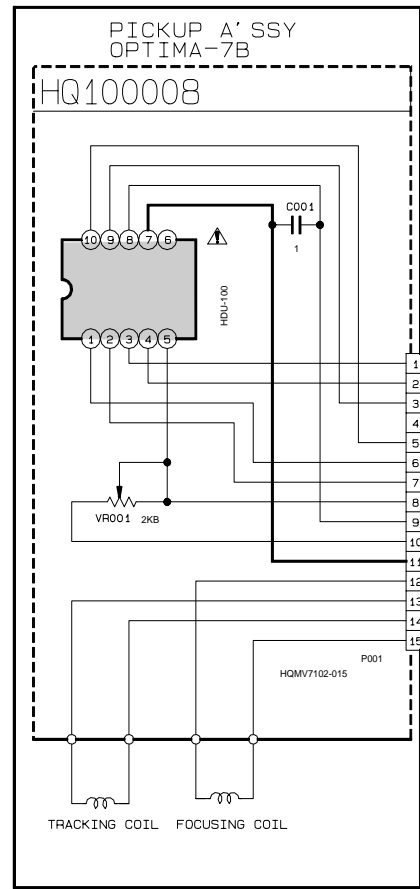
5

4

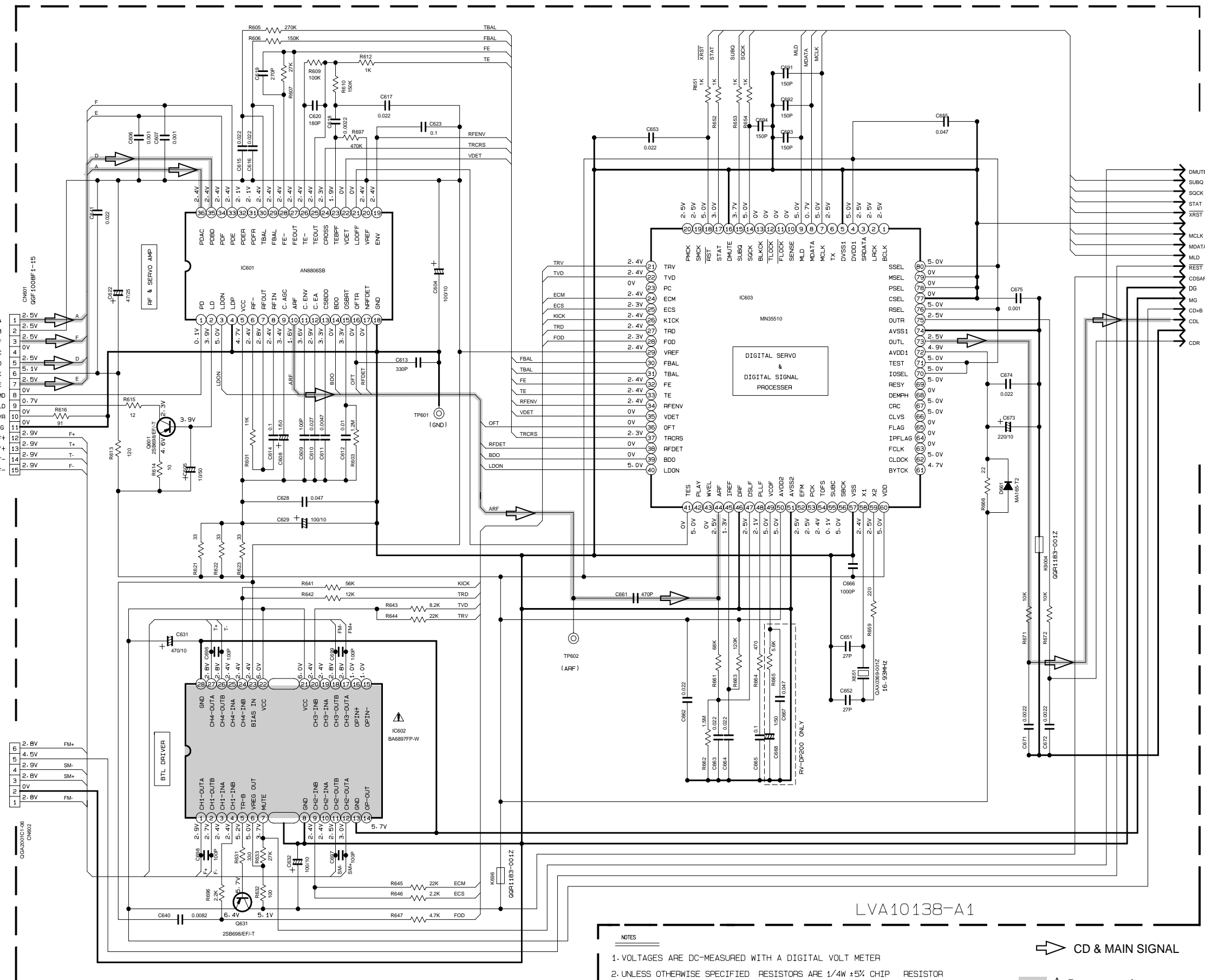
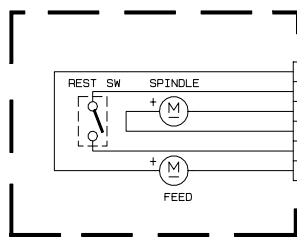
3

2

1



EXL-M7MBYPM



LVA10138-A1

NOTES

1. VOLTAGES ARE DC-MEASURED WITH A DIGITAL VOLT METER
2. UNLESS OTHERWISE SPECIFIED RESISTORS ARE 1/4W ±5% CHIP RESISTOR
ALL RESISTANCE VALUES ARE IN OHM(Ω).
ALL CAPACITORS ARE CERAMIC CAPACITOR OR MYLAR CAPACITOR.
ALL CAPACITANCE VALUES ARE IN nF(P=pF).
ALL E-CAPACITORS ARE SHOWN IN THE FORM OF CAPACITANCE (μF)/RATED VOLTAGE (V).

➔ CD & MAIN SIGNAL

▲ Parts are safety assurance parts.
When replacing those parts make
sure to use the specified one.

To G-2 on page 2-8

■ Cassette amplifire section

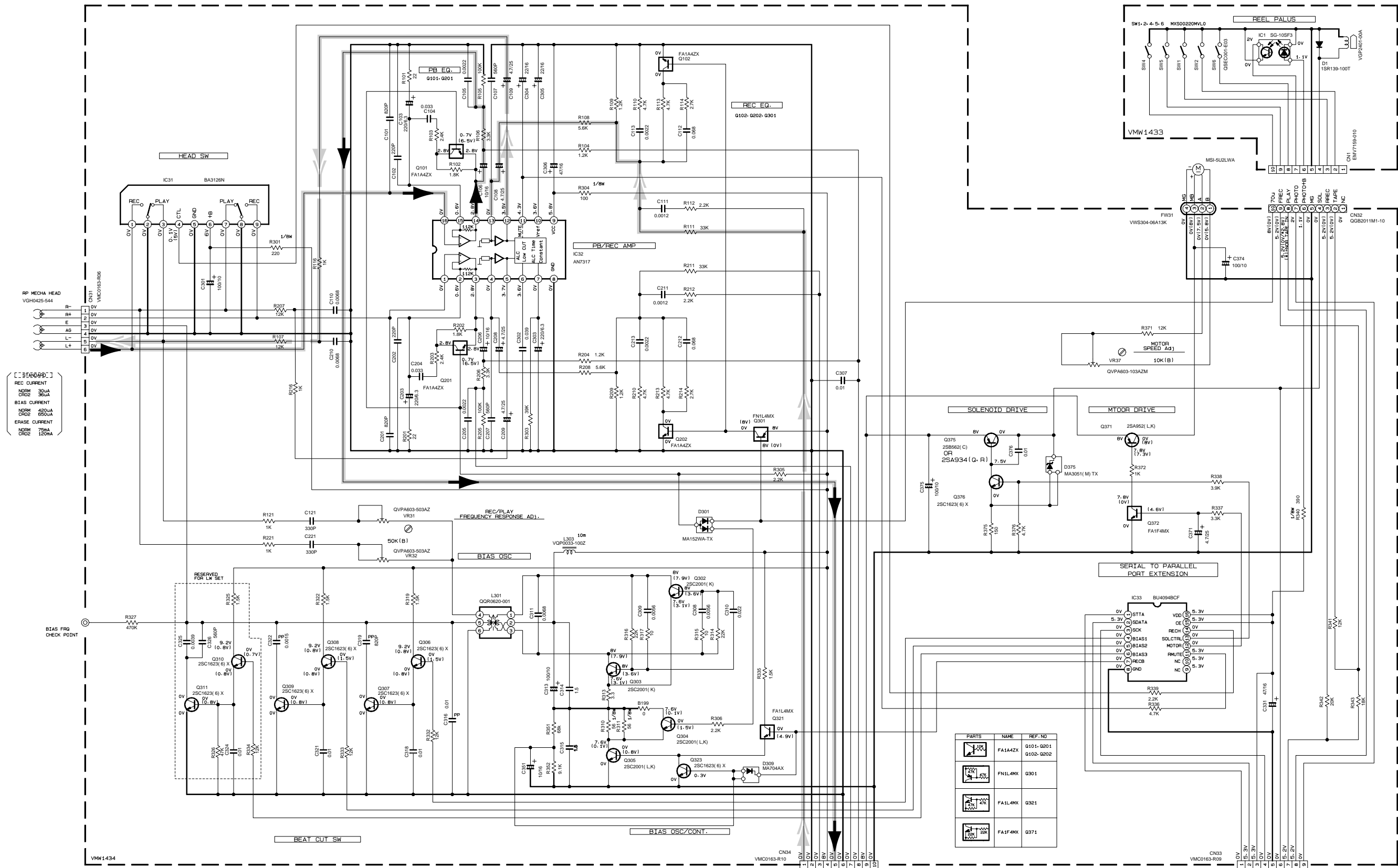
5

4

3

2

1



- REC CURRENT
- NORM 300A
- CROD 300A
- BIAS CURRENT
- NORM 4500A
- CROD 6500A
- ERASE CURRENT
- NORM 750A
- CROD 1200A

NOTES

- VOLTAGES ARE DC-MEASURED WITH A DIGITAL VOLT METER OR OSCILLOSCOPE WITHOUT INPUT SIGNAL. CONDITION : MECHA STOP MODE.
- UNLESS OTHERWISE SPECIFIED, RESISTORS ARE 1/10W ±5% METAL GLAZE RESISTOR. ALL RESISTANCE VALUES ARE IN OHM(Ω).
- ALL CAPACITORS ARE CERAMIC CAPACITOR OR MYLAR CAPACITOR. ALL CAPACITANCE VALUES ARE IN μF(μF) OR PP(PPF).
- ALL INDUCTANCE VALUES ARE IN MH(MHMH).
- ALL E. CAPACITORS ARE SHOWN IN THE FORM OF CAPACITANCE (#)/RATED VOLTAGE (V).
- PP POLYPROPYLENE CAPACITOR

PARTS	NAME	REF. NO
	FA144ZX	Q101-Q201
	FN14MX	Q301
	FA14MX	Q321
	FA1F4MX	Q371

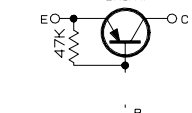
▶ Playback signal line
 ⇨ Recording signal line

To E-1 on page 2-8

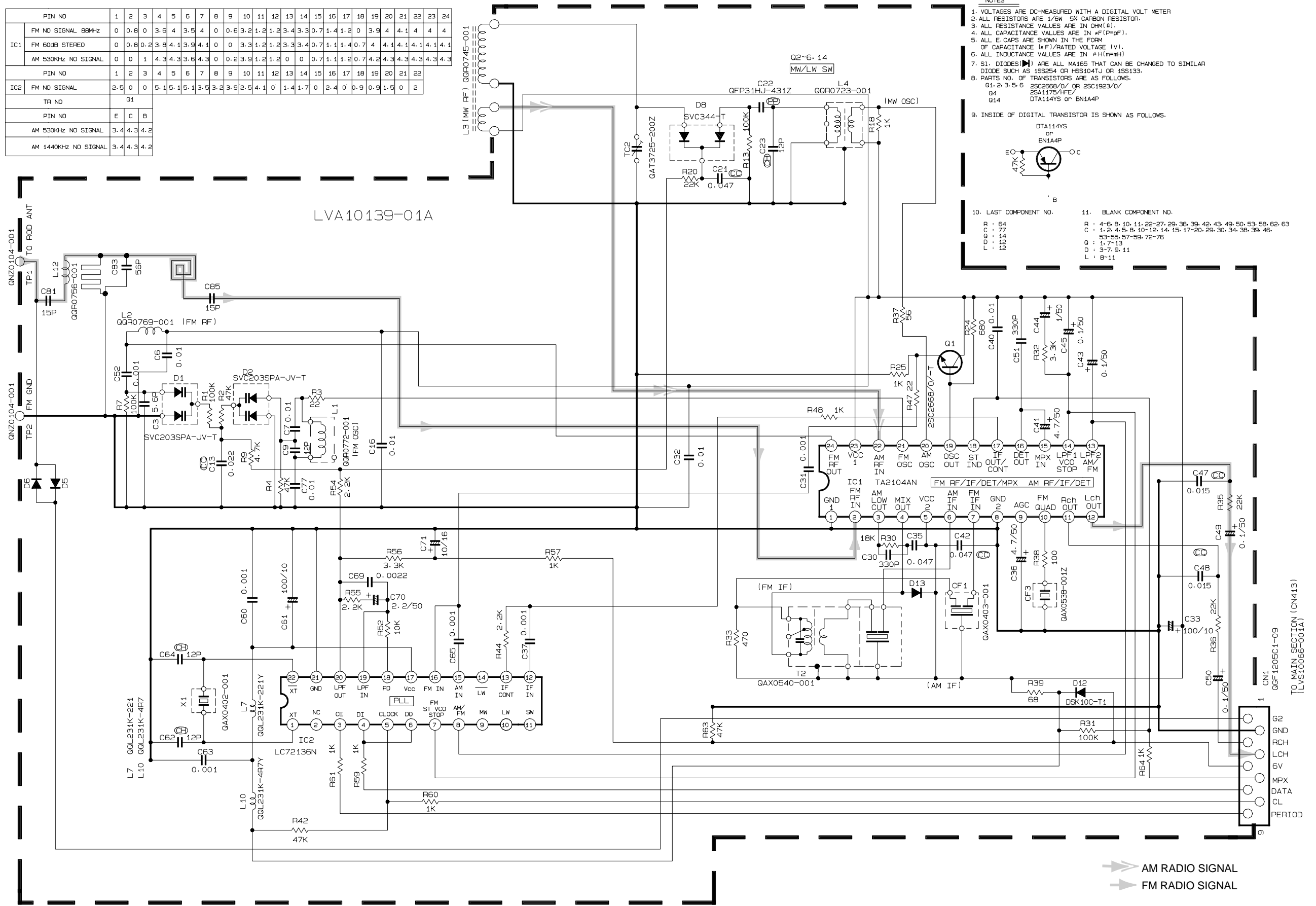
To A-2 on page 2-9

Tuner section

PIN NO	1	2	3	4	5	6	7	8	9	10	11	12	13	14	15	16	17	18	19	20	21	22	23	24
FM NO SIGNAL	0	0.8	0	3.6	4	3.5	4	0	0.6	3.2	1.2	1.2	3.4	3.3	0.7	1.4	1.2	0	3.9	4	4.1	4	4	4
IC1 FM 60dB STEREO	0	0.8	0.2	3.8	4.1	3.9	4.1	0	0	3.3	1.2	1.2	3.3	3.4	0.7	1.1	1.4	0.7	4	4.1	4.1	4.1	4.1	4.1
AM 530KHz NO SIGNAL	0	0	1	4.3	4.3	3.6	4.3	0	0.2	3.9	1.2	1.2	0	0	0.7	1.1	1.2	0.7	4.2	4.3	4.3	4.3	4.3	4.3
PIN NO	1	2	3	4	5	6	7	8	9	10	11	12	13	14	15	16	17	18	19	20	21	22		
FM NO SIGNAL	2.5	0	0	5.1	5.1	3.5	3.5	3.2	3.9	2.5	4.1	0	1.4	1.7	0	2.4	0	3.9	0.9	1.5	0	2		
TR NO	Q1																							
PIN NO	E	C	B																					
AM 530KHz NO SIGNAL	3.4	4.3	4.2																					
AM 1440KHz NO SIGNAL	3.4	4.3	4.2																					

- NOTES**
- VOLTAGES ARE DC-MEASURED WITH A DIGITAL VOLT METER
 - ALL RESISTORS ARE 1/8W 5% CARBON RESISTOR.
 - ALL RESISTANCE VALUES ARE IN OHM(Ω).
 - ALL CAPACITANCE VALUES ARE IN μF(PμF).
 - ALL E. CAPS ARE SHOWN IN THE FORM OF CAPACITANCE (μF)/RATED VOLTAGE (V).
 - ALL INDUCTANCE VALUES ARE IN μH(MμH).
 - DIODES (D1) ARE ALL MA165 THAT CAN BE CHANGED TO SIMILAR DIODE SUCH AS 1SS254 OR HSS104T1 OR 1SS133.
 - PARTS NO. OF TRANSISTORS ARE AS FOLLOWS:
Q1: 2-3-5-6 2SC266B/Q/ OR 2SC1923/Q/
Q4 2SA1175/HFE/
Q14 DTA114YS or BN1A4P
 - INSIDE OF DIGITAL TRANSISTOR IS SHOWN AS FOLLOWS:

 - LAST COMPONENT NO.
 - BLANK COMPONENT NO.
- R : 4-6-8-10-11-22-27-29-38-39-42-43-49-50-53-58-62-63
 C : 1-2-4-5-8-10-12-14-15-17-20-29-30-34-38-39-46-
 53-55-57-59-72-76
 D : 1-7-13
 L : 3-7-9-11
 T : 8-11

5
4
3
2
1



A B C D E F G

➔ AM RADIO SIGNAL
➔ FM RADIO SIGNAL

TO MAIN SECTION (CN413)
(LVS10066-001A)

To A-3 on page 2-9

System control section

5

4

3

2

1

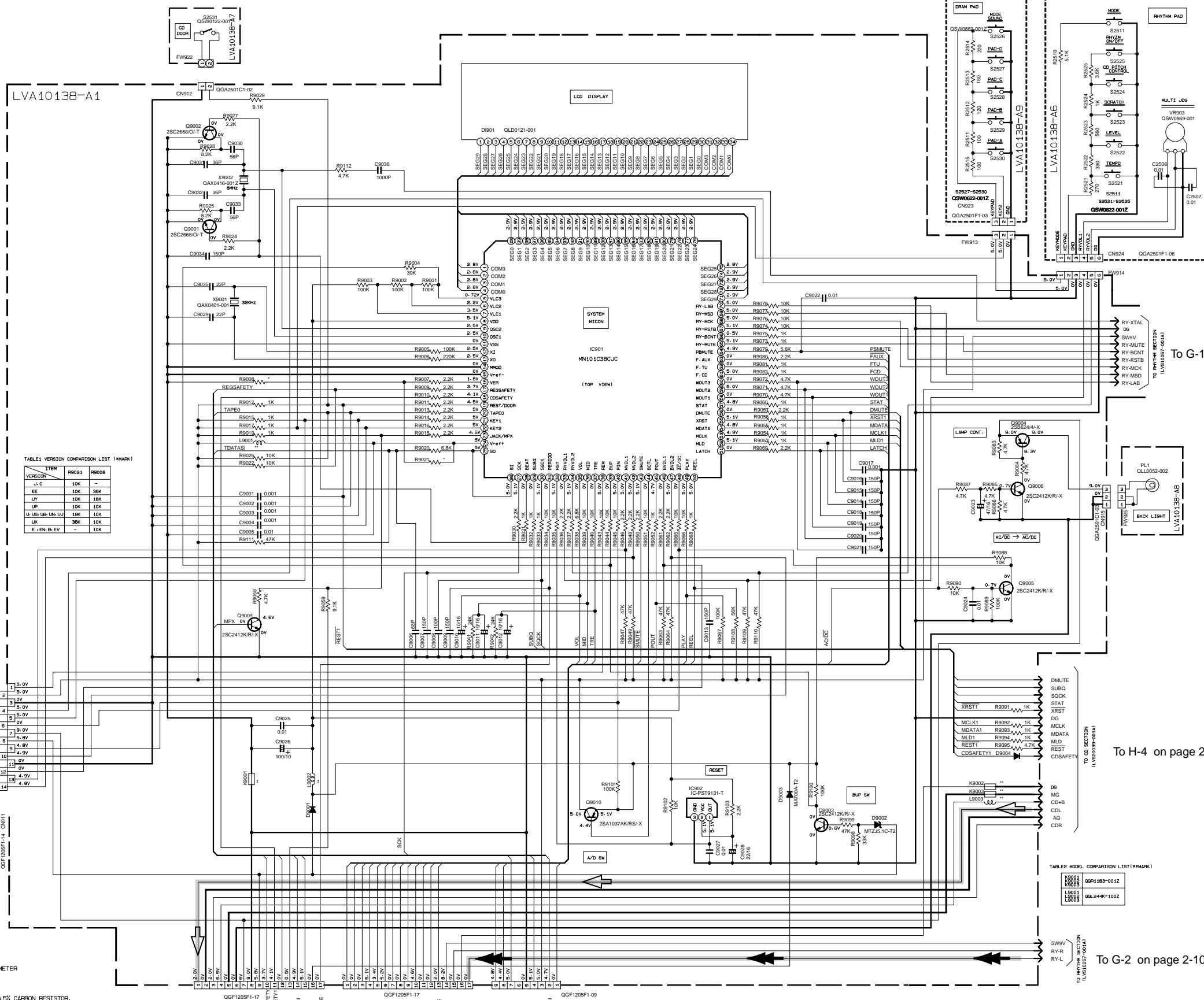
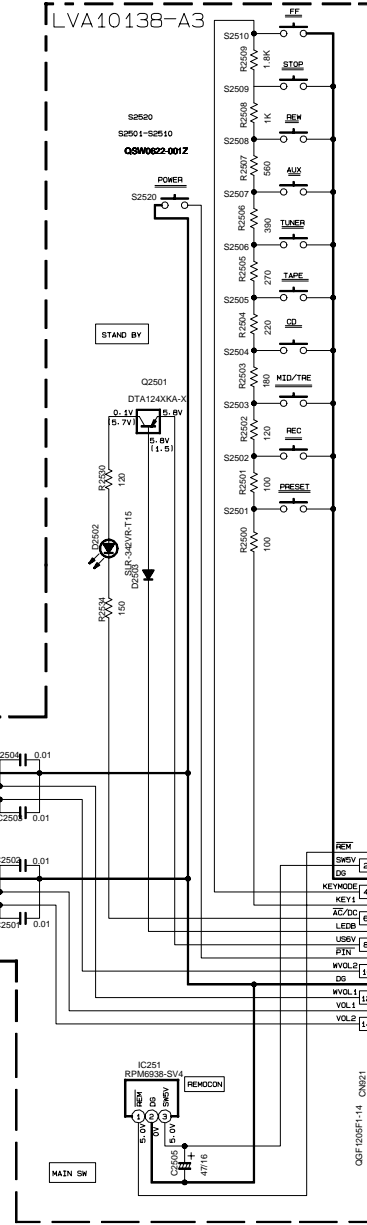


TABLE1 VERSION COMPARISON LIST (**MARK)

ITEM	R9001	R9008
J.C	10K	-
RE	10K	30K
UY	10K	10K
LP	10K	10K
U.LIB.LIN.LAJ	10K	10K
UX	30K	10K
E.VEN.B.EV	-	10K

TABLE2 MODEL COMPARISON LIST(**MARK)

R9001	GGF1205F1-0012
R9002	GGF1205F1-0012
R9003	GGF1205F1-0012
R9004	GGF1205F1-0012
R9005	GGF1205F1-0012
R9006	GGF1205F1-0012
R9007	GGF1205F1-0012
R9008	GGF1205F1-0012
R9009	GGF1205F1-0012
R9010	GGF1205F1-0012
R9011	GGF1205F1-0012
R9012	GGF1205F1-0012
R9013	GGF1205F1-0012
R9014	GGF1205F1-0012
R9015	GGF1205F1-0012
R9016	GGF1205F1-0012
R9017	GGF1205F1-0012
R9018	GGF1205F1-0012
R9019	GGF1205F1-0012
R9020	GGF1205F1-0012
R9021	GGF1205F1-0012
R9022	GGF1205F1-0012
R9023	GGF1205F1-0012
R9024	GGF1205F1-0012
R9025	GGF1205F1-0012
R9026	GGF1205F1-0012
R9027	GGF1205F1-0012
R9028	GGF1205F1-0012
R9029	GGF1205F1-0012
R9030	GGF1205F1-0012
R9031	GGF1205F1-0012
R9032	GGF1205F1-0012
R9033	GGF1205F1-0012
R9034	GGF1205F1-0012
R9035	GGF1205F1-0012
R9036	GGF1205F1-0012
R9037	GGF1205F1-0012
R9038	GGF1205F1-0012
R9039	GGF1205F1-0012
R9040	GGF1205F1-0012
R9041	GGF1205F1-0012
R9042	GGF1205F1-0012
R9043	GGF1205F1-0012
R9044	GGF1205F1-0012
R9045	GGF1205F1-0012
R9046	GGF1205F1-0012
R9047	GGF1205F1-0012
R9048	GGF1205F1-0012
R9049	GGF1205F1-0012
R9050	GGF1205F1-0012
R9051	GGF1205F1-0012
R9052	GGF1205F1-0012
R9053	GGF1205F1-0012
R9054	GGF1205F1-0012
R9055	GGF1205F1-0012
R9056	GGF1205F1-0012
R9057	GGF1205F1-0012
R9058	GGF1205F1-0012
R9059	GGF1205F1-0012
R9060	GGF1205F1-0012
R9061	GGF1205F1-0012
R9062	GGF1205F1-0012
R9063	GGF1205F1-0012
R9064	GGF1205F1-0012
R9065	GGF1205F1-0012
R9066	GGF1205F1-0012
R9067	GGF1205F1-0012
R9068	GGF1205F1-0012
R9069	GGF1205F1-0012
R9070	GGF1205F1-0012
R9071	GGF1205F1-0012
R9072	GGF1205F1-0012
R9073	GGF1205F1-0012
R9074	GGF1205F1-0012
R9075	GGF1205F1-0012
R9076	GGF1205F1-0012
R9077	GGF1205F1-0012
R9078	GGF1205F1-0012
R9079	GGF1205F1-0012
R9080	GGF1205F1-0012
R9081	GGF1205F1-0012
R9082	GGF1205F1-0012
R9083	GGF1205F1-0012
R9084	GGF1205F1-0012
R9085	GGF1205F1-0012
R9086	GGF1205F1-0012
R9087	GGF1205F1-0012
R9088	GGF1205F1-0012
R9089	GGF1205F1-0012
R9090	GGF1205F1-0012
R9091	GGF1205F1-0012
R9092	GGF1205F1-0012
R9093	GGF1205F1-0012
R9094	GGF1205F1-0012
R9095	GGF1205F1-0012
R9096	GGF1205F1-0012
R9097	GGF1205F1-0012
R9098	GGF1205F1-0012
R9099	GGF1205F1-0012
R9100	GGF1205F1-0012

NOTES

- VOLTAGES ARE DC-MEASURED WITH A DIGITAL VOLT METER OR OSCILLOSCOPE WITHOUT INPUT SIGNAL. CONDITION --- CD STOP AT AC SUPPLY VOLT(120) (BASS VOL.4)
- UNLESS OTHERWISE SPECIFIED, RESISTORS ARE 1/8W ±5% CARBON RESISTOR. ALL RESISTANCE VALUES ARE IN OHM(Ω). ALL CAPACITORS ARE CERAMIC CAPACITOR OR MYLAR CAPACITOR. ALL CAPACITANCE VALUES ARE IN PICO(F). ALL INDUCTANCE VALUES ARE IN HENRY(H). ALL E. CAPACITORS ARE SHOWN IN THE FORM OF CAPACITANCE (μF)/RATED VOLTAGE (V). ALL DIODES ARE 1SS264-T2 OR 1SS133-T2

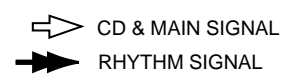
To B-1 on page 2-9

To G-1 on page 2-6

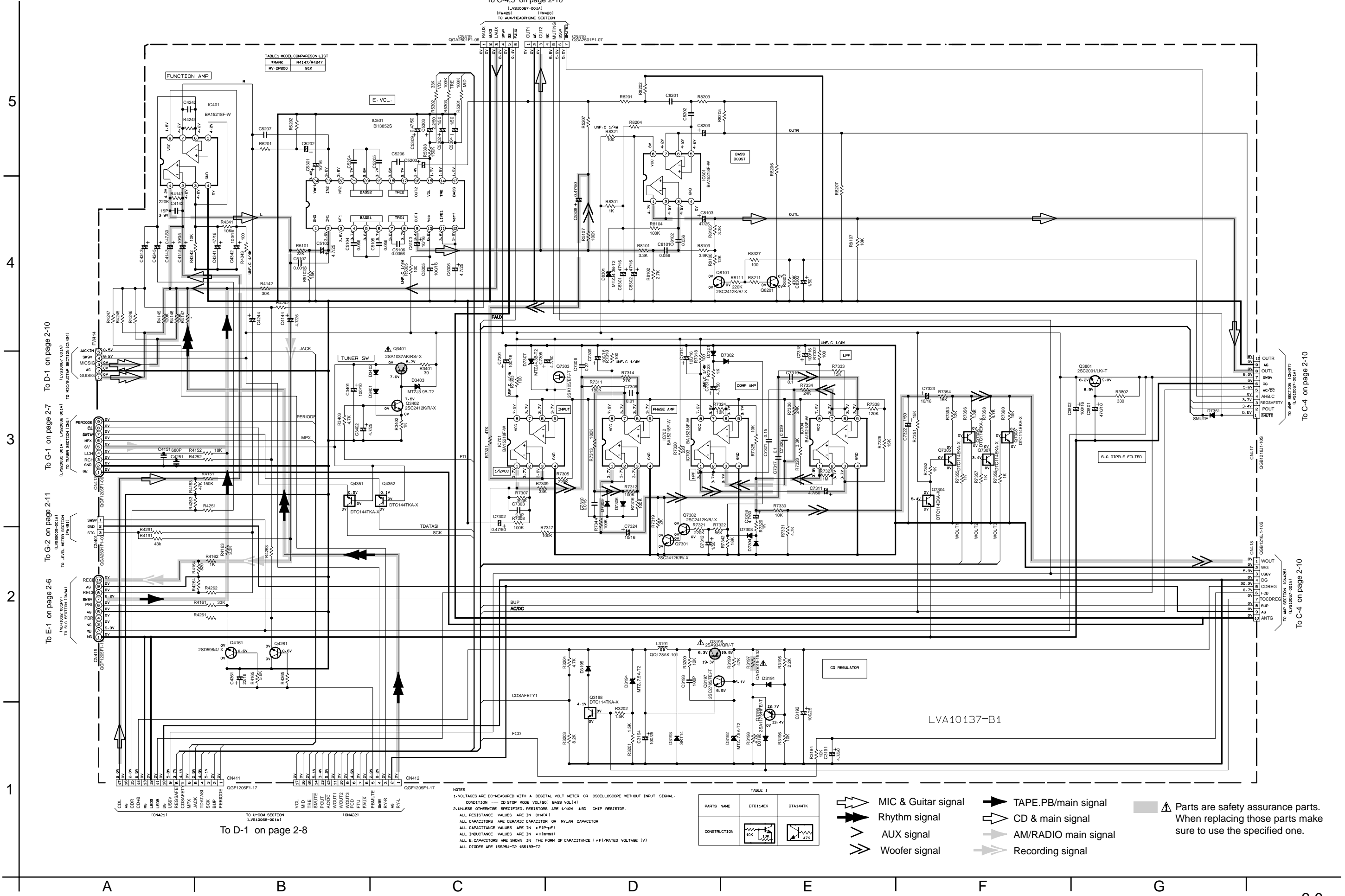
To G-1 on page 2-10

To H-4 on page 2-5

To G-2 on page 2-10



Function section



NOTES
 1. VOLTAGES ARE DC-MEASURED WITH A DIGITAL VOLT METER OR OSCILLOSCOPE WITHOUT INPUT SIGNAL.
 CONDITION — CD STOP MODE VOL100! BASS VOL14!
 2. UNLESS OTHERWISE SPECIFIED, RESISTORS ARE 1/10W ±5% CHIP RESISTOR.
 ALL RESISTANCE VALUES ARE IN OHM(Ω)
 ALL CAPACITANCE VALUES ARE IN P(F)P(P)
 ALL CAPACITANCE VALUES ARE IN +H(μμH)
 ALL INDUCTANCE VALUES ARE IN +H(mH)
 ALL E. CAPACITORS ARE SHOWN IN THE FORM OF CAPACITANCE (±F)/RATED VOLTAGE (V)
 ALL DIODES ARE 1SS254-12 1SS133-12

PARTS NAME	DTC114EK	DTA144TK
CONSTRUCTION		

- MIC & Guitar signal
- Rhythm signal
- AUX signal
- Woofer signal
- TAPE.PB/main signal
- CD & main signal
- AM/RADIO main signal
- Recording signal
- Parts are safety assurance parts.
When replacing those parts make sure to use the specified one.

Power amplifier section

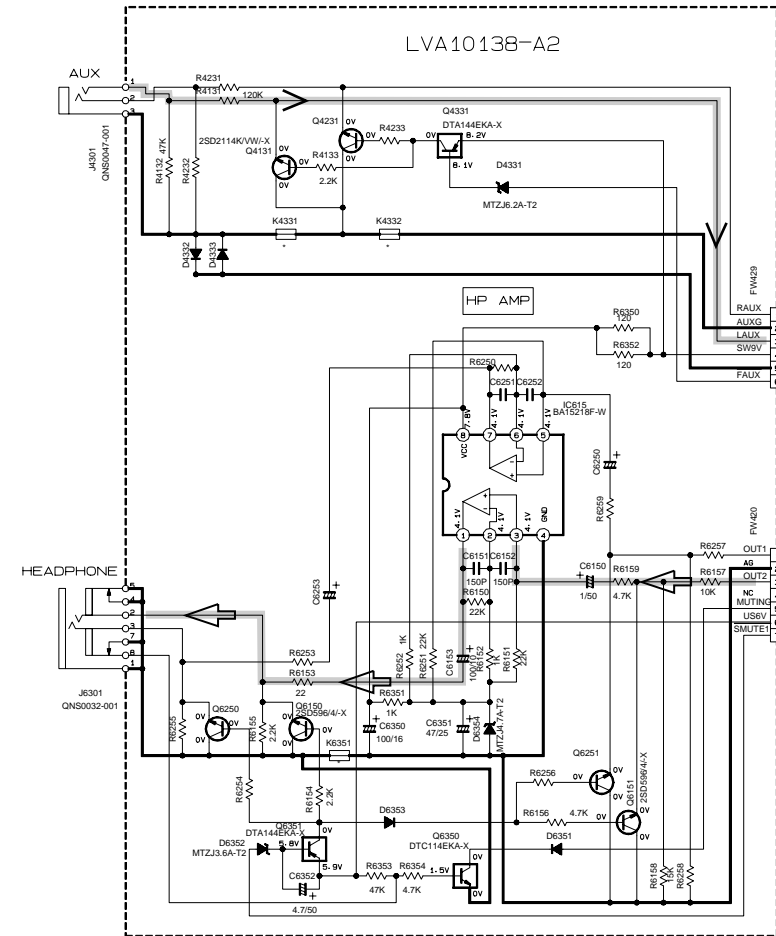
AUX/H.Pone circuit

Power amplifier circuit

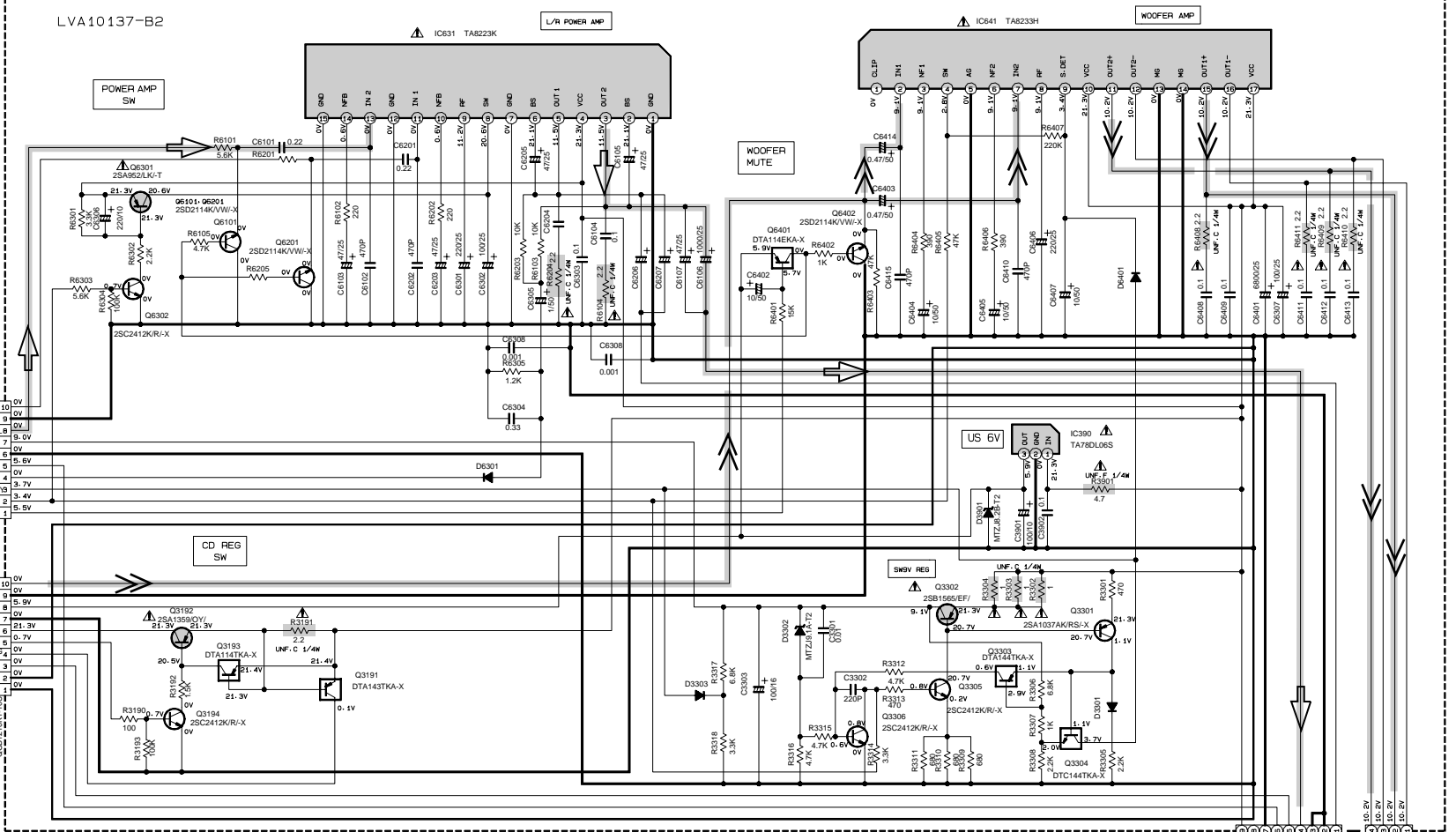
5

4

3



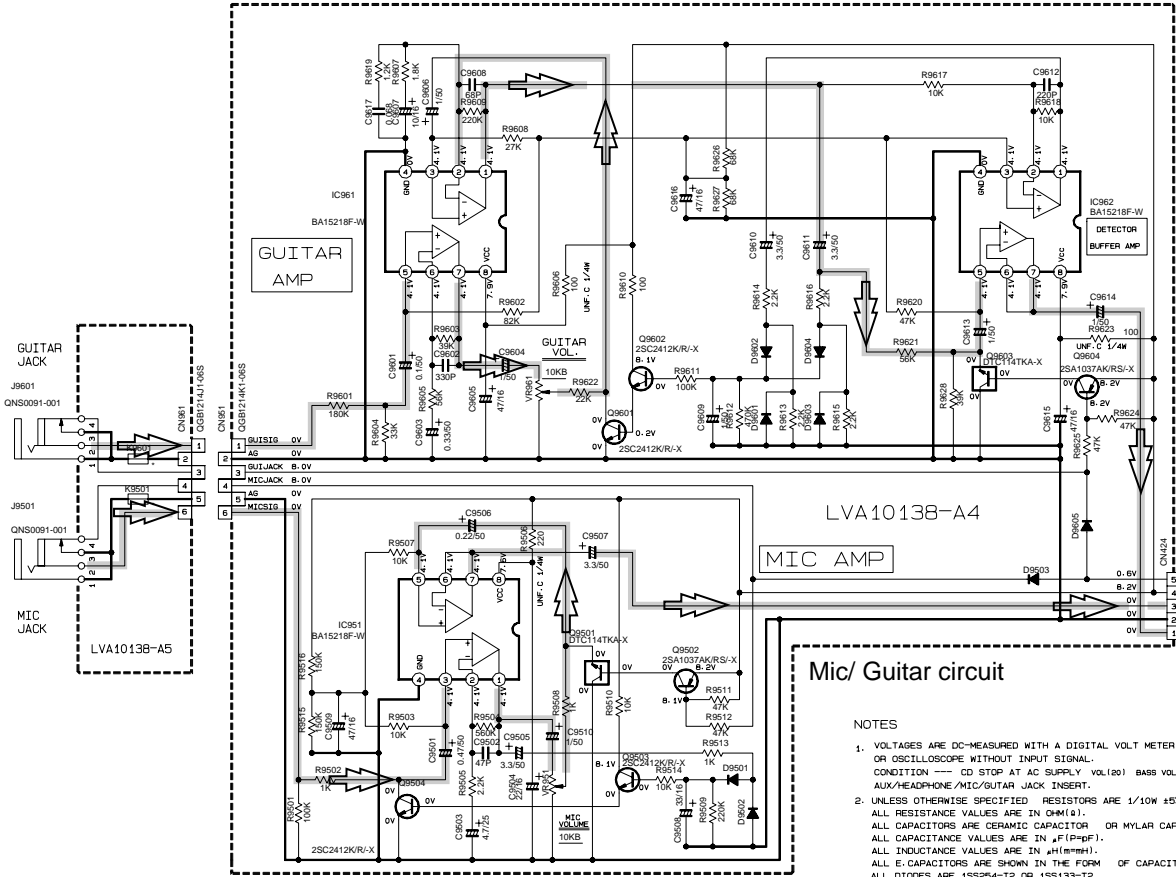
To D-5 on page 2-9 (LVS10066-001A)
 To H-2 on page 2-9 (LVS10066-001A)
 To H-3 on page 2-9 (LVS10066-001A)
 To C-5 on page 2-9 (LVS10066-001A)
 To MAIN SECTION (CM419) (LVS10066-001A)
 To MAIN SECTION (CM471) (LVS10066-001A)
 To MAIN SECTION (CM418) (LVS10066-001A)



To D-5 on page 2-11 (LVS90040-000A)
 TO U-COM SECTION (LVB10066B-001A)
 TO G-1 on page 2-8
 TO G-4 on page 2-8

2

1



NOTES
 1. VOLTAGES ARE DC-MEASURED WITH A DIGITAL VOLT METER OR OSCILLOSCOPE WITHOUT INPUT SIGNAL.
 CONDITION - CD STOP AT AC BURN-Y VOL(10) BASS VOL(4)
 AUX/HEADPHONE/MIC/GUITAR JACK INSERT.
 2. UNLESS OTHERWISE SPECIFIED RESISTORS ARE 1/10W ±5% MG RESISTOR ALL RESISTANCE VALUES ARE IN OHM(Ω).
 ALL CAPACITORS ARE CERAMIC CAPACITOR OR MYLAR CAPACITOR.
 ALL CAPACITANCE VALUES ARE IN μF(μF).
 ALL INDUCTANCE VALUES ARE IN μH(μH).
 ALL E-CAPACITORS ARE SHOWN IN THE FORM OF CAPACITANCE (μF)/RATED VOLTAGE (V).
 ALL DIODES ARE 1SS254-T2 OR 1SS133-T2

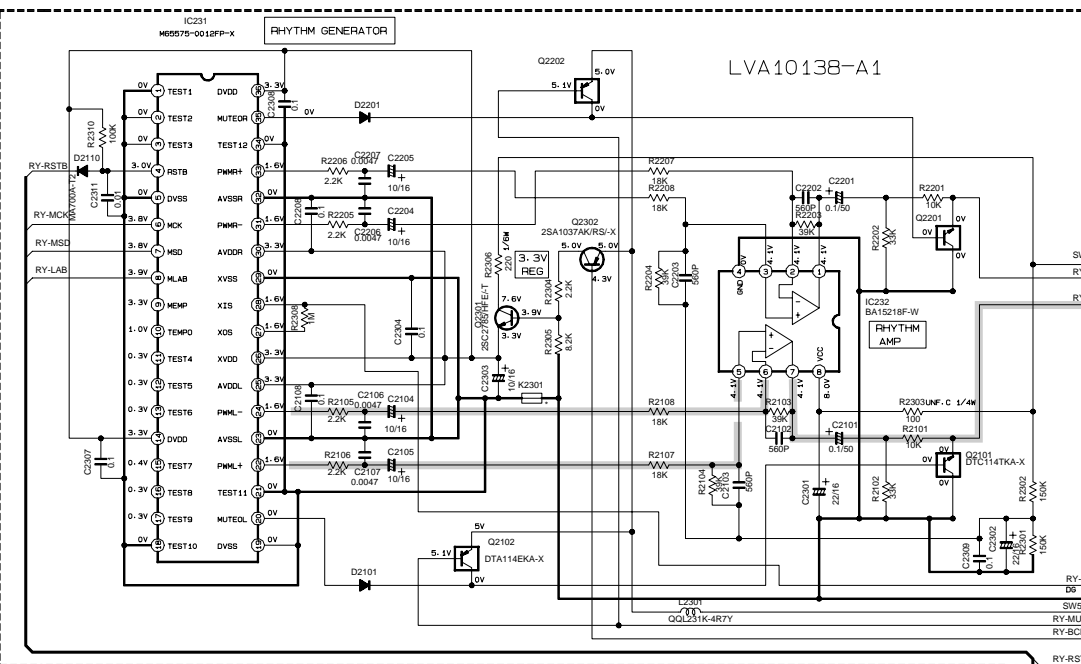


TABLE1 (MARK) FERRITE BEADS (Kxxxx)
 RY-OP000
 * MARK GPR1983-0012

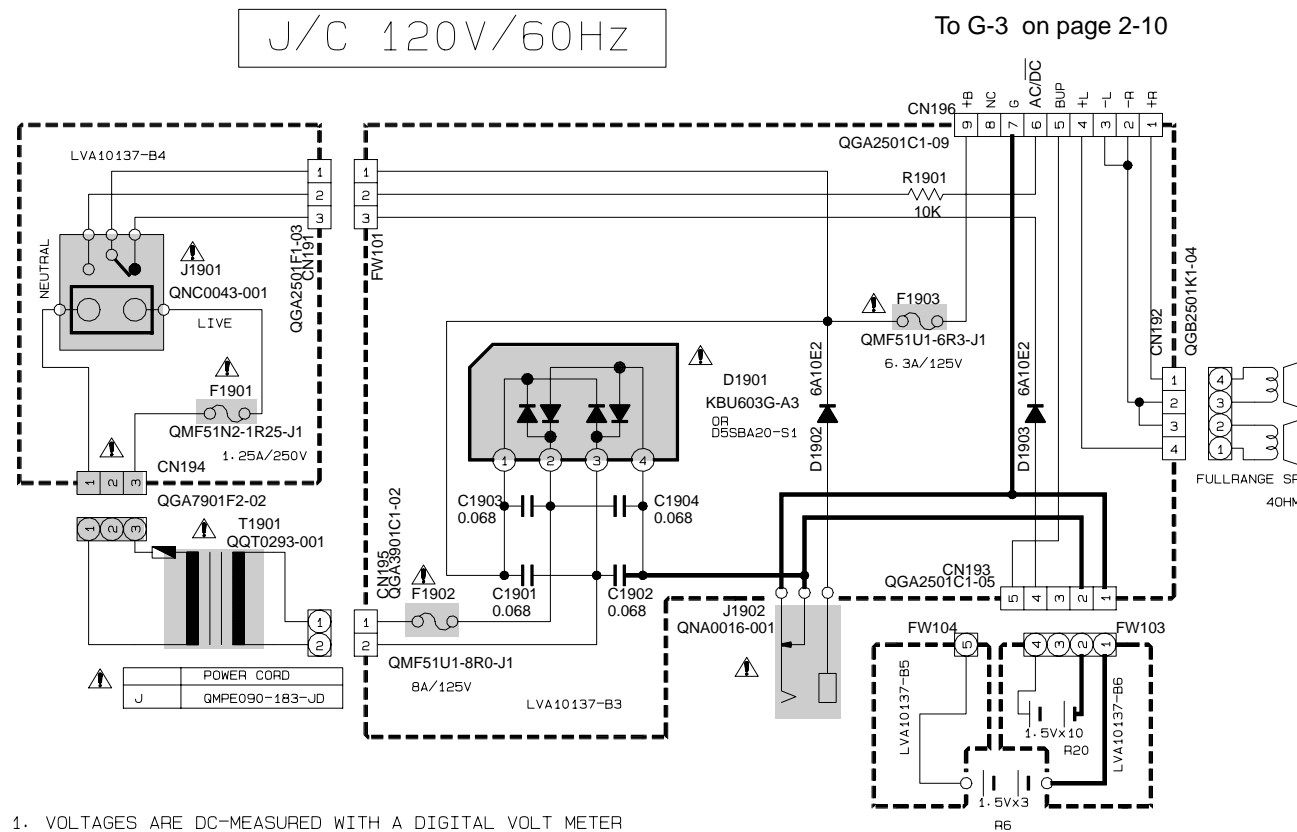
TABLE1 DIGITAL TRANSISTOR
 DT1145EA DT1145FA DT1145TA DT1145BA DT1145CA

TO MAIN SECTION (FM414) (LVS10066-001A)
 To A-3 on page 2-9

- MIC & GUITAR SIGNAL
 - CD & MAIN SIGNAL
 - AUX SIGNAL SIGNAL
 - WOOFER SIGNAL
- Parts are safety assurance parts. When replacing those parts make sure to use the specified one.

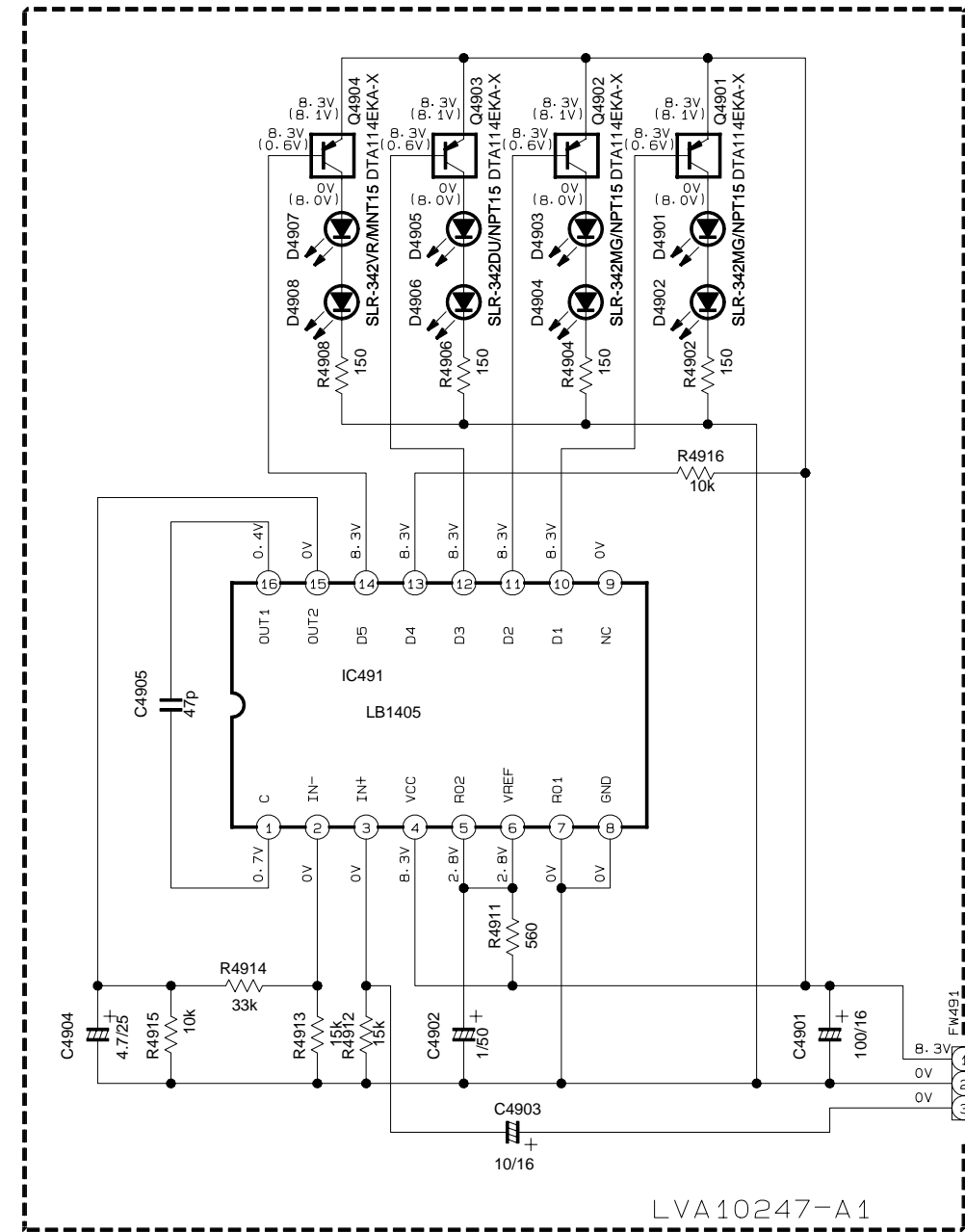
■ Power supply section

■ LED section



- NOTES
1. VOLTAGES ARE DC-MEASURED WITH A DIGITAL VOLT METER OR OSCILLOSCOPE WITHOUT INPUT SIGNAL. CONDITION --- CD STOP MODE
 2. UNLESS OTHERWISE SPECIFIED RESISTORS ARE 1/4W ±5% CARBON RESISTOR. ALL RESISTANCE VALUES ARE IN OHM(Ω). ALL CAPACITORS ARE CERAMIC CAPACITOR OR MYLAR CAPACITOR. ALL CAPACITANCE VALUES ARE IN μF(P=pF).

▲ Parts are safety assurance parts. When replacing those parts make sure to use the specified one.

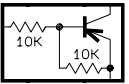


NOTES

VOLTAGES ARE DC-MEASURED WITH A DIGITAL VOLT METER OR OSCILLOSCOPE WITHOUT INPUT SIGNAL. CONDITION --- CD STOP AT AC SUPPLY

UNLESS OTHERWISE SPECIFIED RESISTORS ARE 1/10W ±5% MG RESISTORS. ALL RESISTANCE VALUES ARE IN OHM(Ω). ALL CAPACITORS ARE CERAMIC CAPACITOR. ALL CAPACITANCE VALUES ARE IN μF(P=pF). ALL INDUCTANCE VALUES ARE IN μH(m=mH). ALL E. CAPACITORS ARE SHOWN IN THE FORM OF CAPACITANCE (μF)/RATED VOLTAGE (V).

TABLE1 DIGITAL TR LIST

PARTS NAME	DTA114EKA-X
CONSTRUCTION	

Printed circuit boards

■ Main board

Main board

Power amp. board

Battery board 1

Battery board 2

Regulator board

AC input board

5

4

3

2

1

A

B

C

2-12

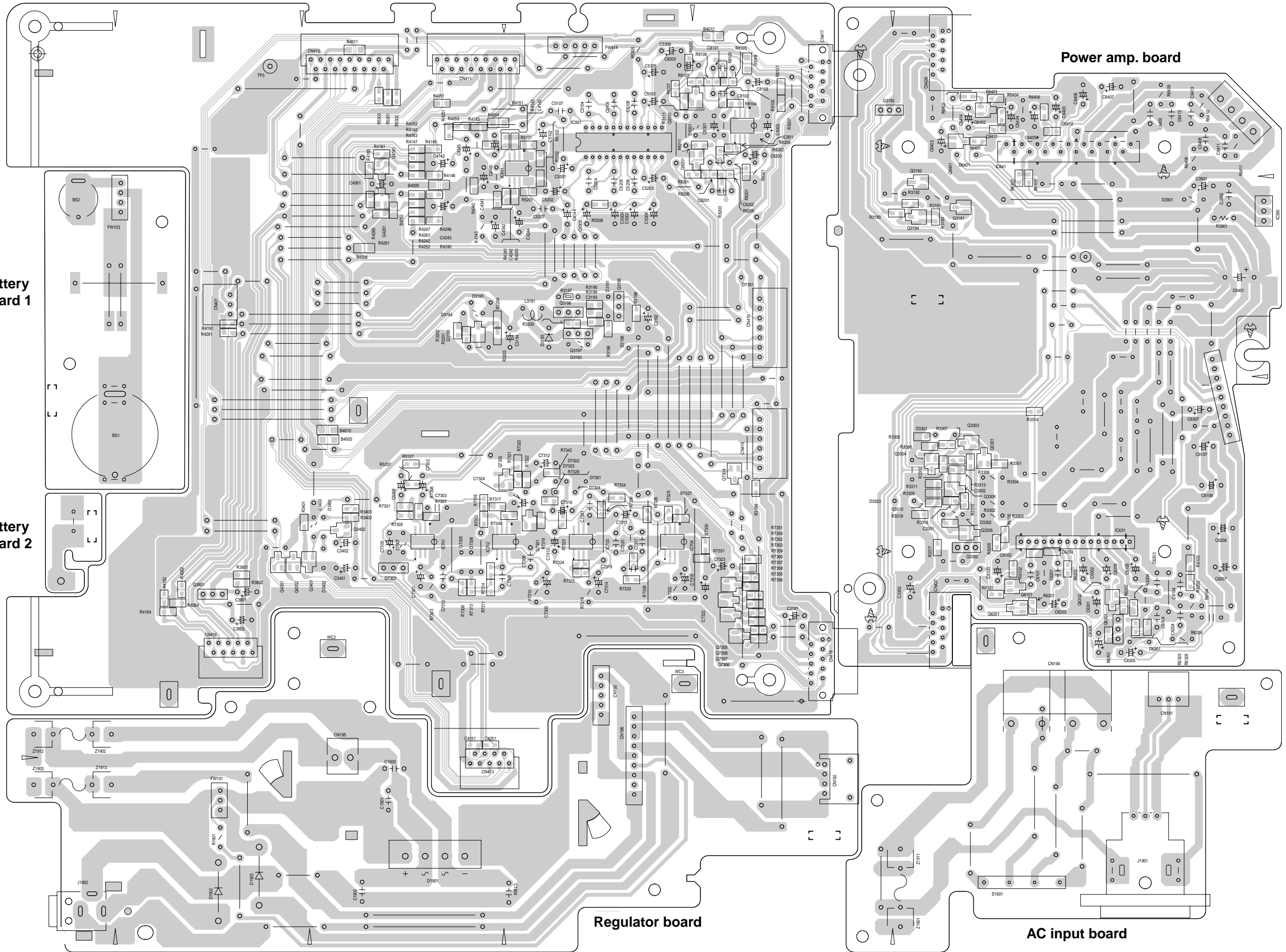
D

E

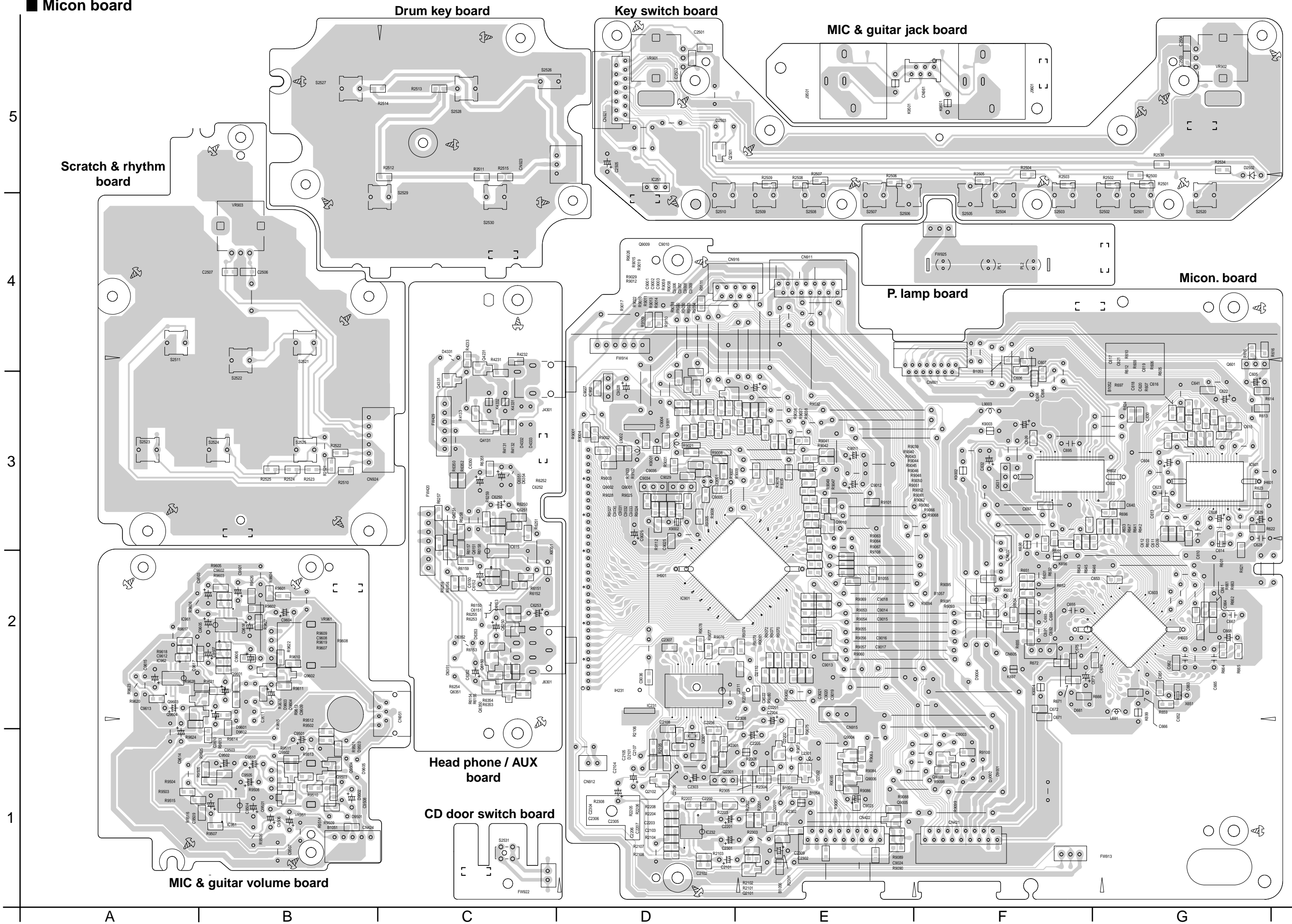
F

G

H

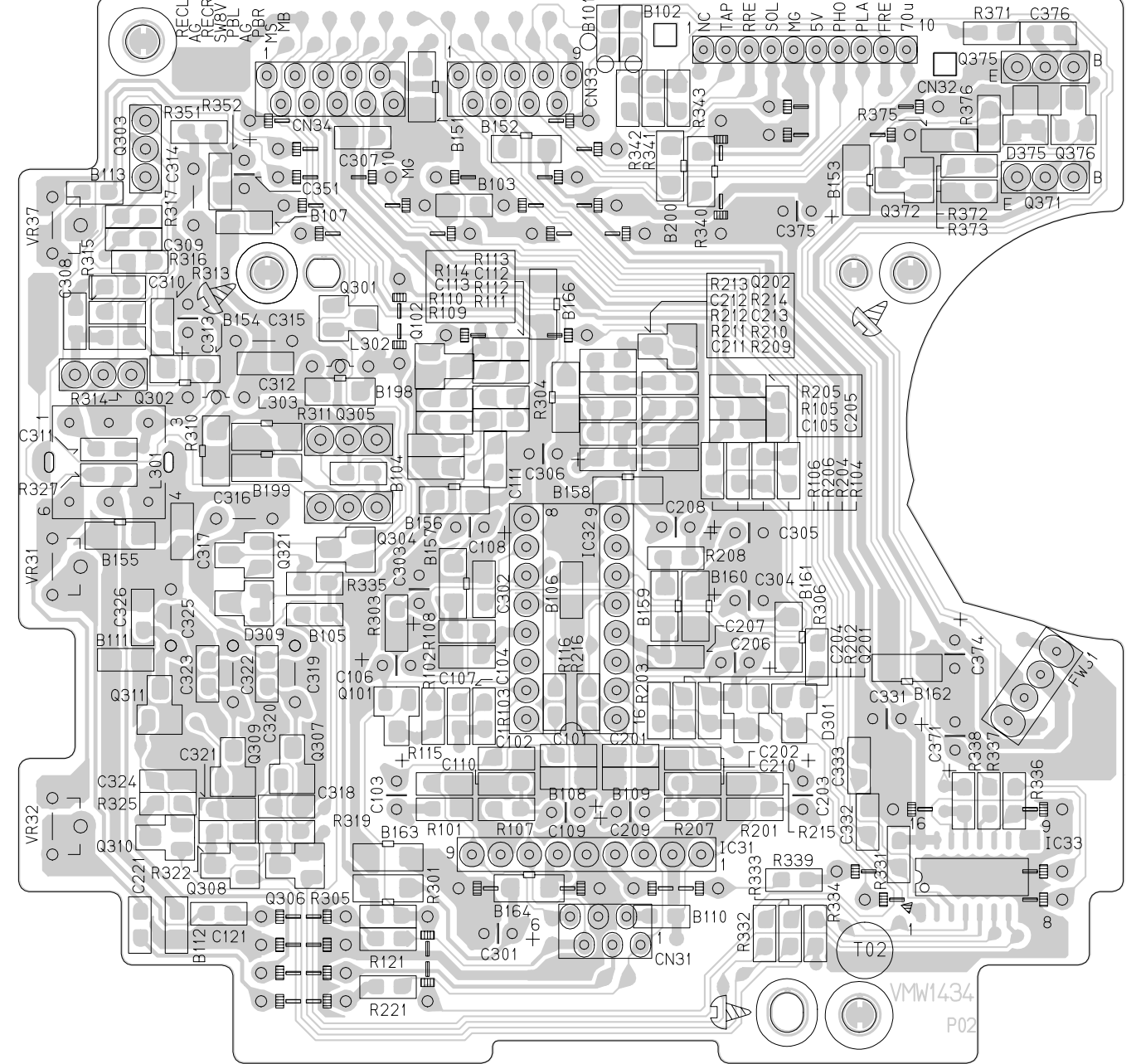
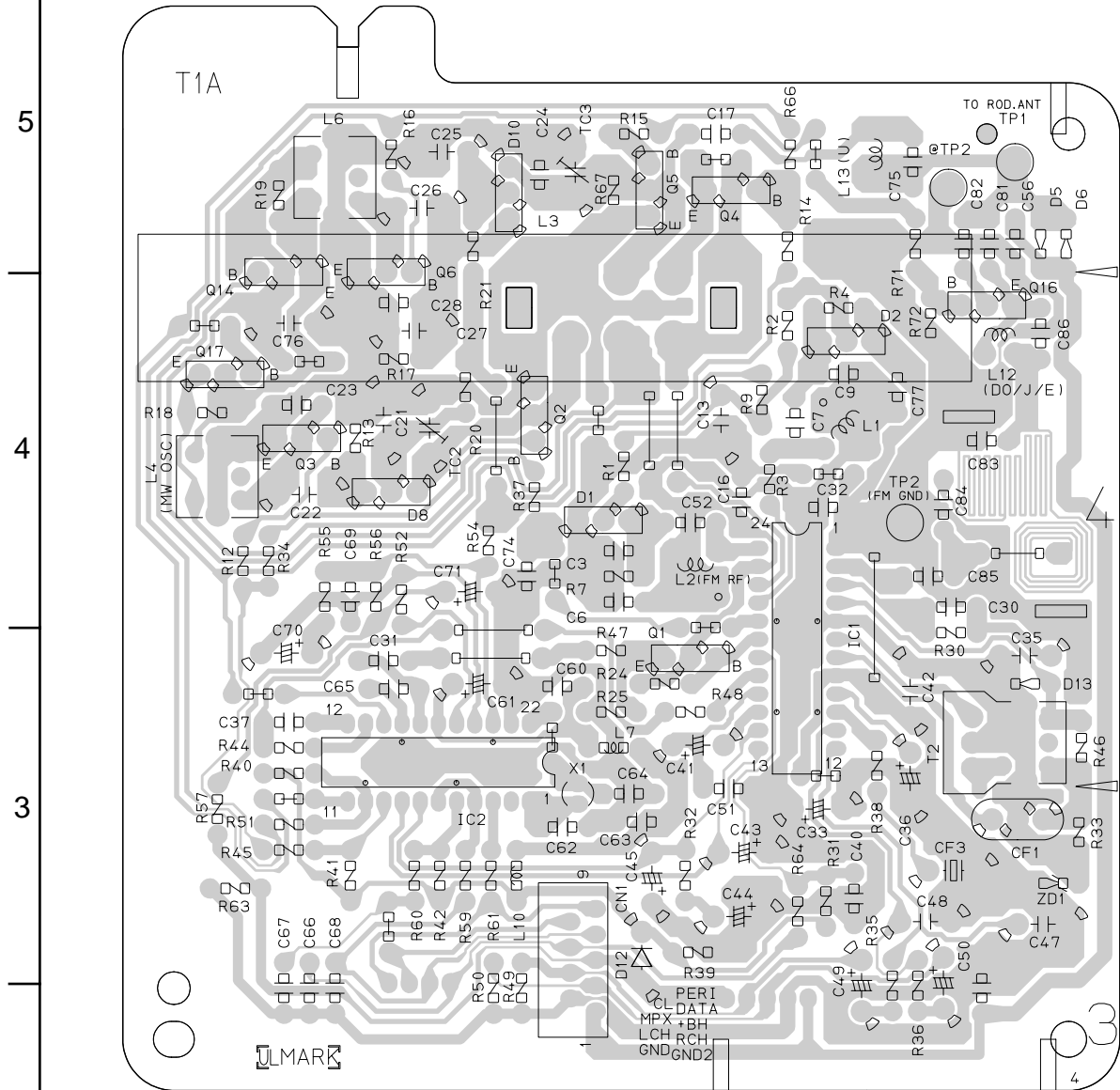


■ Micon board



■ Tuner board

■ Head amplifier & Mechanism board



■ LED board

■ Cassette switch board

